

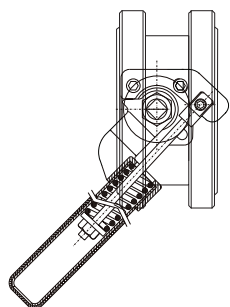


SERIES 723101 SRL DEADMAN SPRING RETURN

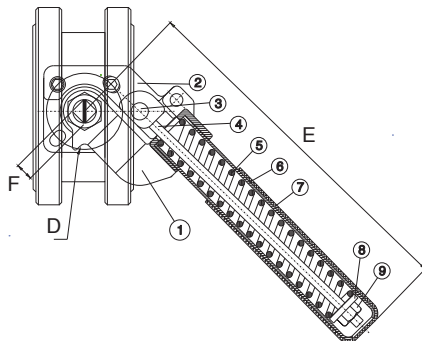
Stainless steel direct mount, ASME/ANSI class 150 Wafer-style flanged ball valve, full port with deadman spring return handle.

- Temperature range -4°F to +366°F.
- Anti-static stem device.
- TFM-MPTFE ball seats and thrust washer standard.
- Triple stem seals-two Viton (FKM) O-rings and one PTFE seat.
- ISO 5211 mounting pad/square stem.
- 17-4 PH stem.
- Lockable spring return handle.

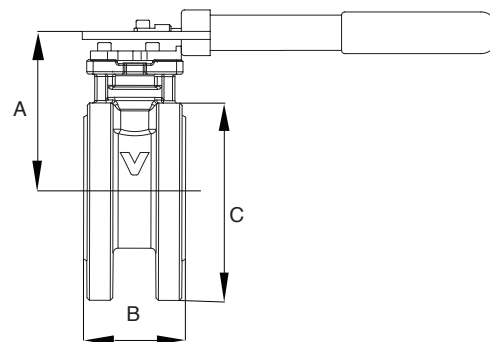
723101 SRL: size 1" to 3".



OPEN POSITION



CLOSED POSITION



N POS	PART NAME	MATERIAL	N PCS
1	HANDLE HEAD	ASTM A351-CF8M	1
2	ANCHOR	ASTM A351-CF8M	1
3	ANCHOR SCREW	AISI 316	1
4	SPRING ROD	AISI 316	1
5	SPRING	AISI 301	1
6	HANDLE EXTENSION	AISI 304	1
7	SLEEVE	VINYL	1
8	WASHER	AISI 304	1
9	HEX NUT	AISI 304	1
10	SOCKET HEAD SCREW	AISI 304	1

SIZE	A	B	C	D ISO 5211	E	F mm	Valve Torque in-Lbs	Handle Torque in-Lbs
1"	2.76	1.89	4.33	F05	8.75	11	85	195
1-1/4"	3.23	2.13	5.12	F05	8.75	11	112	195
1-1/2"	3.66	2.50	5.51	F05	11.50	11	142	195
2"	4.00	3.23	6.10	F05	11.50	11	169	195
2-1/2"	5.06	4.06	7.09	F07	17.72	14	275	487
3"	5.43	4.80	7.48	F07	17.72	14	381	487